

KOENIG & BAUER

Print&Apply APL-Robotman

PACKAGING		
Entry	Advanced	High-End

Labeller with Cobot applicator

for labelling with varying position or on curvy surfaces

Label width 4" or 6"



we're on it.

Content

Etikettierung	Fehler! Textmarke nicht definiert.
Anwendungsempfehlung für Etikettenmaterialien	Fehler! Textmarke nicht definiert.
Anwendungsbeispiele	Fehler! Textmarke nicht definiert.
APL-Robotman	4
Anbindung	5
Anwendungskonfiguration	Fehler! Textmarke nicht definiert.
Scanner	Fehler! Textmarke nicht definiert.
Kamerasysteme	Fehler! Textmarke nicht definiert.
Sensoren und Schalter	Fehler! Textmarke nicht definiert.
Sicherheitstechnik	Fehler! Textmarke nicht definiert.
Qualität	5
Kontakt	6

KOENIG & BAUER

Labelling

The quality of industrial marking with labels depends on the **selection** of the **label material** and its processing.

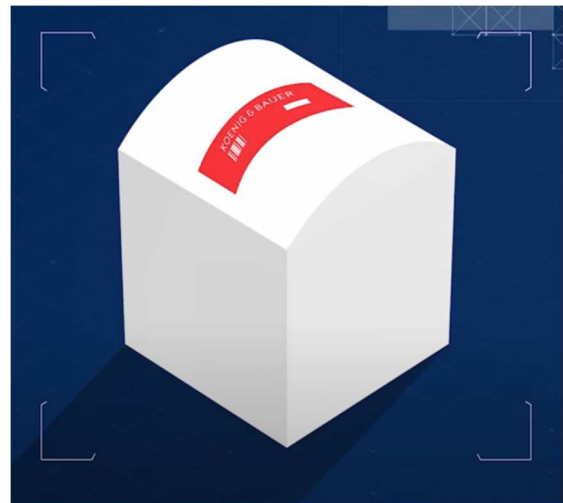
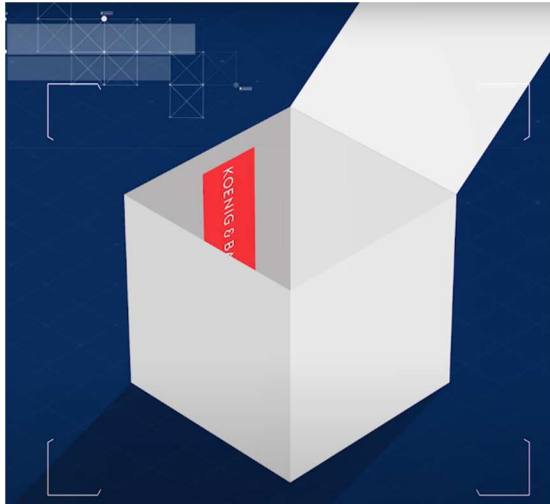
Recommended use for label materials

Quality	Temperature	Durability	Range of applications	Addendum
Paper standard thermal	-20 to +80°C	Conditionally	Simple marking	Cost-effective; for short-term marking
PE/PP	-20 to +80°C	Good: with moisture, chemicals, cleaning agents	full range	Good resistance; Very good print image; Good price/performance ratio
PVC	-20 to +90°C	Good: with moisture, chemicals, cleaning agents, weather conditions	full range	Suitable for outdoor applications; UV-resistant
PET	-40 to +150°C	Good: with humidity, chemicals, cleaning agents, high temperatures	full range, Automotive	Very high mechanical strength and hardness for demanding, permanent marking
Polyamid	-4 to +300°C	Good: with humidity, chemicals, cleaning agents, high temperatures	full range	Good dimensional stability
Laser Combustion Colour change	+260°C <small>of short duration</small> +150°C	Very good: with humidity, chemicals, cleaning agents, high temperatures	full range	Very high resistance for demanding marking Emission-free labeling (color change) Rewritable
Special materials/ functional labels		Depending on application	e.g. paint or surface protection, sealings	Process support and -optimization

KOENIG & BAUER

Application examples

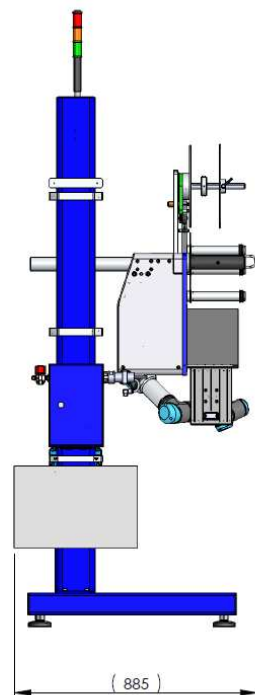
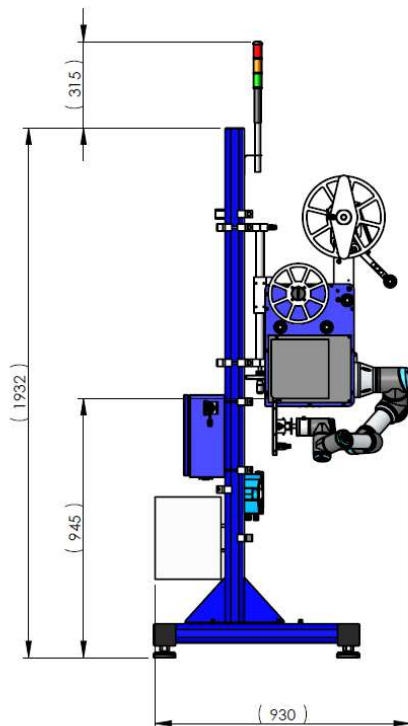
APL-Robotman



KOENIG & BAUER

APL-Robotman

Model	APL-Robotman	
Printer	Zebra ZE500 4"	Zebra ZE500 6"
Print resolution	300dpi	
Ribbon length	600m	
Label roll max. Diameter	300mm, 400mm (option)	
Measurements (L x W x H)	890 x 480 x 440 mm	
Weight	40 kg	
Enclosure class	IP 20	
Connected loads	115 V / 230 V ; 50 Hz / 60 Hz ; 110 VA	
Environment	Temperature + 5° bis + 40° C, relative humidity 20 - 95 %	
Operation	PC-Software, Touchscreen Terminal	
Interfaces	Ethernet TCP/IP, RS 232, I/O, USB	
Controller	Siemens Logo8	
Accessories	Protection cover, Mounting brackets, Stand, Sensor, Scanner, Camera, Touch-Panel, Beacon, Caster rollers	



KOENIG & BAUER

Connectivity

Packstation Sandwiches

Select the product:

ProdCode	ProdName
SDW01	Three Cheese Medley
SDW02	Tomato Brie Basil Sandwich
SDW03	Chicken Croissant Sandwich
SDW05	Tuna Sandwich
SDW06	Three Cheese with Vegetables
SDW07	Vegi Sandwich
SDW08	Hamburger
SDW09	Chili Cheese Dog
SDW10	Chicken & Bacon Melt
SDW11	Chicken Bacon Pita Sandwich

Select the printer: ZEBRA ZE500-6 LH-300dpi ZPL

Number of copies: 1

Print

Manage data

Chicken Croissant Sandwich

Crispy croissant with rotisserie chicken with mayonnaise and basil pesto

€3,00

Net weight: 180 g Best before: 14.6.2020

Nutrition Information		Per 100 g	
		% Reference Intake RI	
Energy	2457 kJ / 585 kcal	32%	RI
Fat	22 g	10%	RI
Of which saturates	5 g	8%	RI
Carbohydrate	50 g	15%	RI
Of which sugar	4 g	12%	RI
Protein	39,4 g	8%	RI
Salt	1,4 g	0%	RI
Vitamin C	1,5 mg	3%	RI

Salt content is exclusively due to the presence of naturally occurring sodium.

Reference intake of an average adult (8400 kJ / 2000 kcal)

INGREDIENTS: Flour, water, chicken, basil pesto, mayonnaise

Application Configuration

User interfaces and automation tailored to the specific application and according to customer specifications.

Scanner

For finding barcodes, e.g. to automatically overlay an existing label. With the scanner the barcode on the label can pass final control.

Camera systems

For analysing the object and automatically determining the label position. Finally, the camera can be used to perform a comprehensive inspection of the label, contents and position.

Sensors and switches

For sensorical location of the label position and for proximity determination of e.g. sensitive objects.

Safety engineering

The Cobot arm of the APL-Robotman is certified according to ISO 13849-1 by TÜV Rheinland for collaborative use without protective fences. In case of a deviating evaluation by the local occupational safety officer, safety sensors with various behavior patterns (slow down, stop, leave out) can be used.

KOENIG & BAUER

Quality

ISO certification according to DIN EN ISO 9001-2015

Made in Europe.

Our quality standards include the process of continuous improvement. Design and technical changes are therefore subject to change without prior notice.

Contact

Koenig & Bauer Coding GmbH

Benzstraße 11

97209 Veitshöchheim, Germany