

KOENIG & BAUER

alphaJET 5 HS alphaJET 5 HS-M alphaJET 5 SP

Industrie		
Entry	Advanced	High-End

Industrial top athlete - maximum performance

Lowest running costs

Lowest maintenance effort



we're on it.

Table of contents

Continuous inkjet coding	2
Recommendation for use of CIJ systems	2
Application examples	3
Technical data alphaJET 5 HS	4
Technical data alphaJET 5 HS-M	5
Technical data alphaJET 5 SP	6
Quality	7
Contact	7

KOENIG & BAUER

Continuous inkjet coding

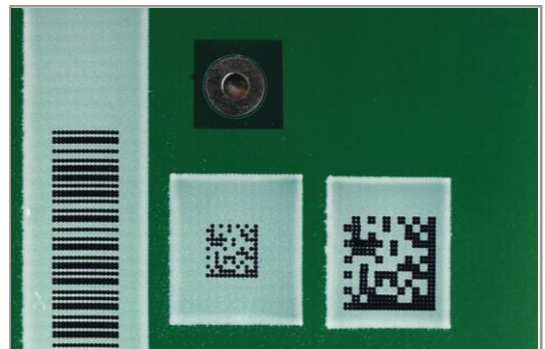
The quality of industrial coding with inkjet coding systems depends on the nature of the material (colour/coating/quality) and the ink used (pigmented / dye-containing).

Recommendation for use of CIJ systems

Material group	Material	Ink
Foil	Foil	1039.6926
Wood	Wood	1006.8226
Ceramic	Ceramic	1006.8226
Plastics	Polypropylene (PP)	1040.3100
	Low density polyethylene (LDPE)	1040.3587
	Polyamide (PA)	1006.8234
	Acrylnitril-Butadien-Styrol (ABS)	1040.0483
	Polyethylene (PET)	1039.6926
	Polyvinyl Chlorid (PVC)	1006.8256
	Silicone containing plastics	1040.3228
	etc.	
Metal	Coated metals	1039.5171
	Metals	1040.4504
Paper	Paper (folded box)	1006.8250
Textile	Textilian	1006.8226
Cable	Cable	1038.8341
Tubes	Tubes	1040.3100

KOENIG & BAUER

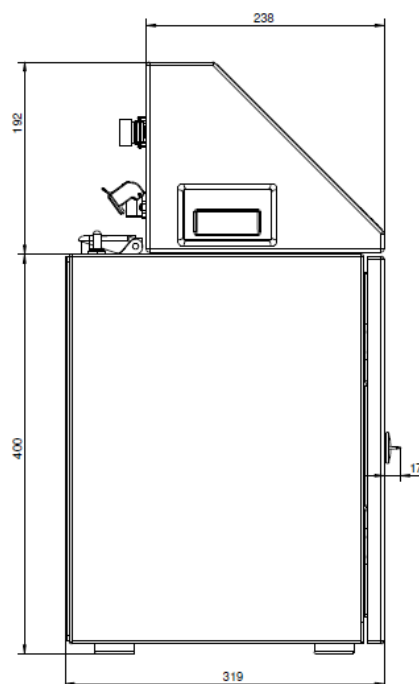
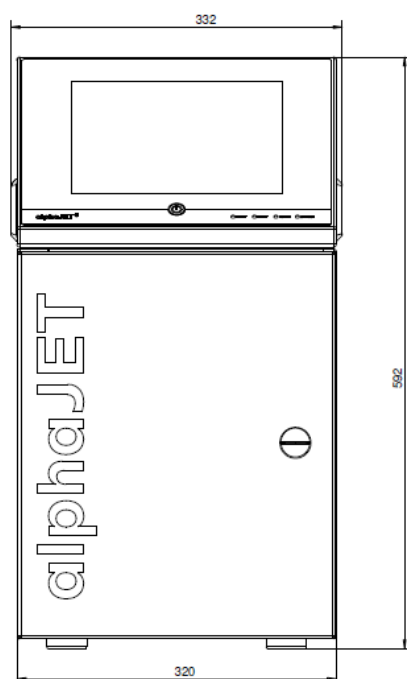
Application examples



KOENIG & BAUER

Technical data alphaJET 5 HS

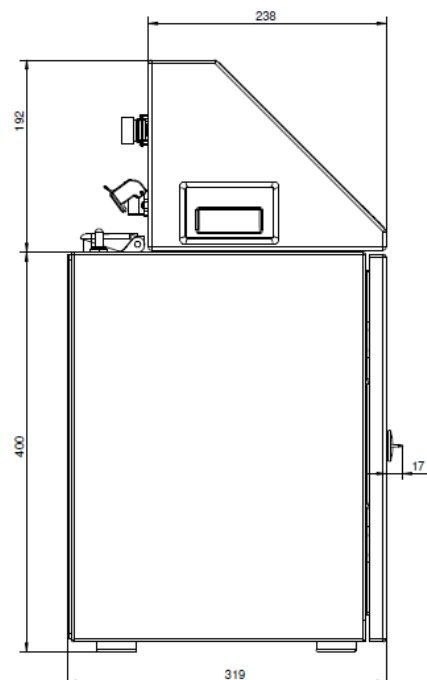
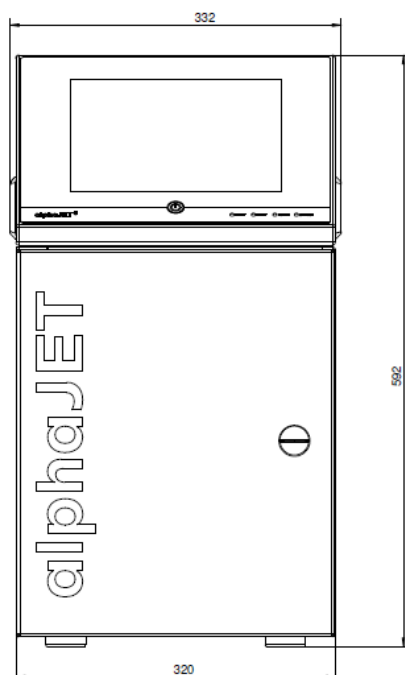
Model	HS stands for high speed
Nozzle sizes	50µm
Print height max. (dots)	24
Ink Variety	Standard, High Contrast, Special
Head cable length	4m
Dimensions printer (HxWxD)	592 x 320 x 320 mm
Dimensions head (HxWxD)	190 x 47 x 40 mm
Housing weight	23 kg
Print speed max.	Up to 1.300 m/min
Print speed	Up to 700 m/min with 2,5mm character width (depending on size, content and material this may vary speed of coding)
Interfaces	Ethernet, RS232, USB, alarm relay (potential free), digital I/O port (8 inputs / 4 outputs), 2x product sensor/encoder, remote connection, optional signal pole
Solvent recovery	RE-SOLVE Ultra
Connection values	110 - 230 V, ± 10 %; 1-0,5 A
Temperature range	+ 5° to + 45° C; relative humidity max. 90%, non-condensing
Operation	10.4" touch screen glove operable
Interfaces	Ethernet TCP/IP, RS 232, I/O
Software	simple text creation, automatic time and date functions, counter (freely configurable with auto-stop function), text list processing, shift marking, barcodes, data matrix codes, QR code, dot code, logos, true type fonts, Unicode, international character sets, automatic diagnosis as plain text with categorization, print preview WYSIWYG display, consumable status



KOENIG & BAUER

Technical data alphaJET 5 HS-M

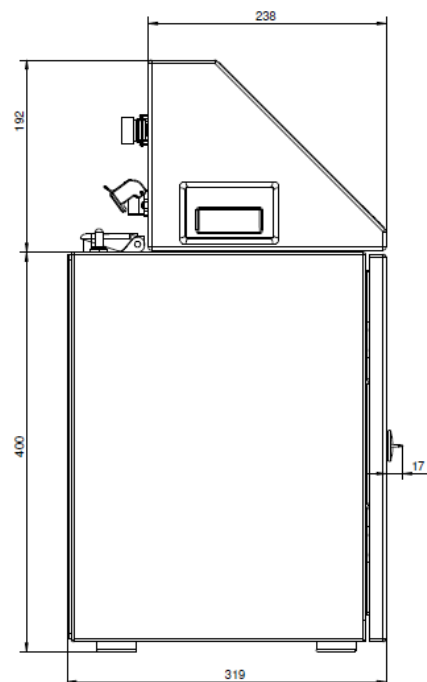
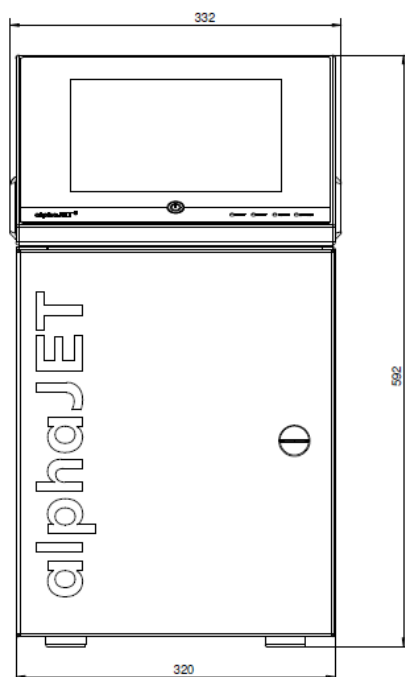
Model	High speed & more ink variety
Nozzle sizes	62µm
Print height max. (dots)	32
Ink Variety	Standard, High Contrast, Special
Head cable length	4m / 6m
Dimensions printer (HxWxD)	592 x 320 x 320 mm
Dimensions head (HxWxD)	190 x 47 x 40 mm
Housing weight	23 kg
Print speed max.	Up to 700 m/min
Print speed	Up to 390 m/min with 2,5mm character width (depending on size, content and material this may vary speed of coding)
Interfaces	Ethernet, RS232, USB, alarm relay (potential free), digital I/O port (8 inputs / 4 outputs), 2x product sensor/encoder, remote connection, optional signal pole
Solvent recovery	RE-SOLVE Ultra
Connection values	110 - 230 V, ± 10 %; 1-0,5 A
Temperature range	+ 5° to + 45° C; relative humidity max. 90%, non-condensing
Operation	10.4" touch screen glove operable
Interfaces	Ethernet TCP/IP, RS 232, I/O
Software	simple text creation, automatic time and date functions, counter (freely configurable with auto-stop function), text list processing, shift marking, barcodes, data matrix codes, QR code, dot code, logos, true type fonts, Unicode, international character sets, automatic diagnosis as plain text with categorization, print preview WYSIWYG display, consumable status



KOENIG & BAUER

Technical data alphaJET 5 SP

Model	High quality in „small print“
Nozzle sizes	42µm
Print height max. (dots)	32
Ink Variety	Standard, High Contrast, Special
Head cable length	4m
Dimensions printer (HxWxD)	592 x 320 x 320 mm
Dimensions head (HxWxD)	190 x 47 x 40 mm
Housing weight	23 kg
Print speed max.	Up to 1.300 m/min
Print speed	Up to 700 m/min with 2,5mm character width (depending on size, content and material this may vary speed of coding)
Interfaces	Ethernet, RS232, USB, alarm relay (potential free), digital I/O port (8 inputs / 4 outputs), 2x product sensor/encoder, remote connection, optional signal pole
Solvent recovery	RE-SOLVE Ultra
Connection values	110 - 230 V, ± 10 %; 1-0,5 A
Temperature range	+ 5° to + 45° C; relative humidity max. 90%, non-condensing
Operation	10.4" touch screen glove operable
Interfaces	Ethernet TCP/IP, RS 232, I/O
Software	simple text creation, automatic time and date functions, counter (freely configurable with auto-stop function), text list processing, shift marking, barcodes, data matrix codes, QR code, dot code, logos, true type fonts, Unicode, international character sets, automatic diagnosis as plain text with categorization, print preview WYSIWYG display, consumable status



KOENIG & BAUER

Quality

ISO certification according to DIN EN ISO 9001-2015

Made in Germany.

Our quality standards include the process of continuous improvement. Design and technical changes are therefore subject to change without prior notice.

Contact

Koenig & Bauer Coding GmbH

Benzstraße 11

97209 Veitshöchheim, Germany