

KOENIG & BAUER

betaJET verso



- ✓ 1 – 4 PRINT HEADS
FREELY CONFIGURABLE
- ✓ 8,4" DISPLAY
- ✓ HIGH-RESOLUTION

Simple. Runs. Brilliant.

INKJET Thermal Transfer Overprint

Hot foil-Coding *LASER* **THERMAL-INKJET** *Offline coding*

For use-by-dates **AFTER SALES** *BARCODE* *etc.*

CODING SYSTEMS

„MADE IN GERMANY“

Print resolution: up to 600 x 600 dpi

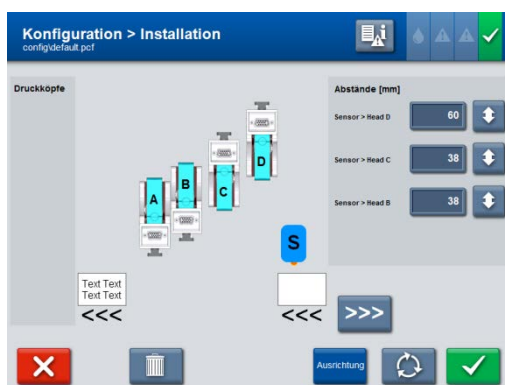
Speed: up to 120 m/min.

Optimized print quality even with high speeds

Print head

Up to 4 print heads (pens),
i.e. print height up to 2" (50,8 mm)

- Dimension: 160 x 38 x 100 mm
- Weight: ca. 400 g
- print head mounting is compatible with alphaJET quick change mounts
- a sensor can be attached to the print head as an option



Magnets in the side walls are used to position the cartridges.

Control unit:

- dimensions: 295 x 265 x 95 mm
- weight: ca. 7,5 kg
- stainless steel, protection class IP 54
- 8,4" Touch-Panel (resistiv)

Technical data:

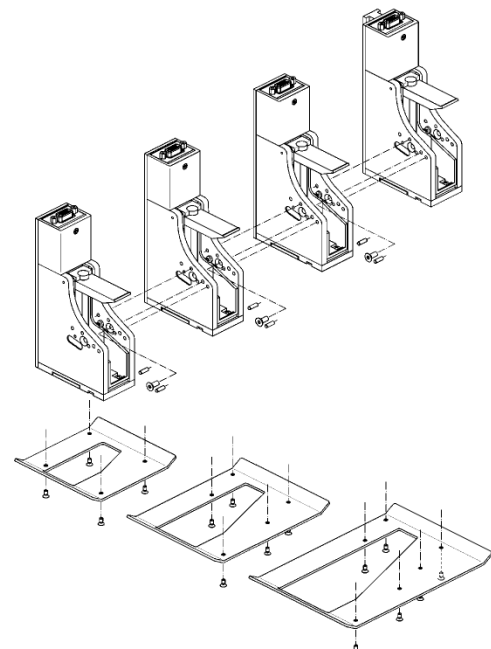
- Power requirements: 110 bis 240 V ($\pm 10\%$), 50 / 60 Hz
0,3 - 0,6 A
- Temperature: +5 °C bis +40 °C
Relative humidity max. 90%,
non-condensing

Operation:

- graphical interface
- intuitive KBA-Metronic interface
- large 8.4" TFT touch screen display,
print resolution 800 x 600 pixels
- easy configuration wizard
- individual configuration of print heads
(simultaneous print with different inks on
different substrates, e.g. to label and carton)
- print preview
- integrated label editor
- large number of post-/barcodes
- QR Code
- data matrix code
- data field objects
- time objects
- counter objects
- bitmaps

Interfaces:

- (encoder / sensor / alarm) compatible to alphaJET
- additional interfaces: USB, Ethernet, RS 232
- alarm beacon
- potential-free relay



Subject to
technical and
design changes.
E&OE