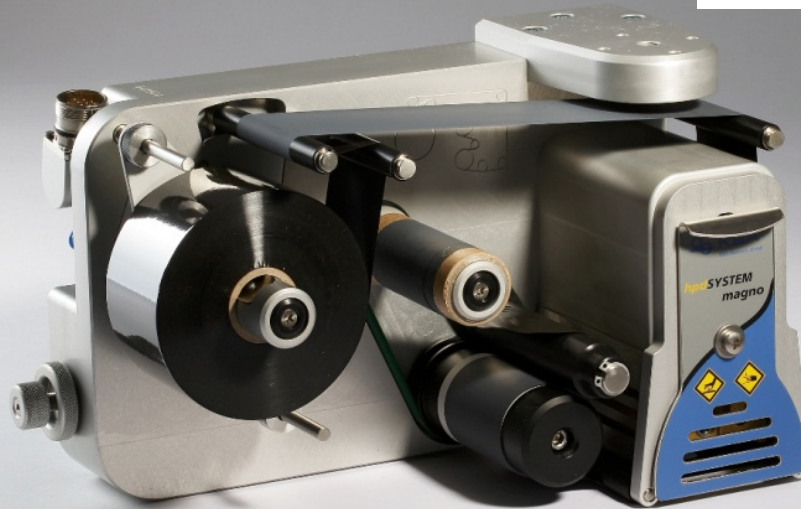


KOENIG & BAUER

**hpd**SYSTEM magno

- ✓ HOT FOIL CODING SYSTEM
- ✓ VERY LARGE PRINT AREA



*Simple. Runs. Ample.*

**INKJET Thermal Transfer Overprint**

**HOTFOIL-CODING** *LASER Thermal-Inkjet Offline coding*

For use-by-dates **AFTER SALES** *BARCODE etc.*

**CODING SYSTEMS**

*„MADE IN GERMANY“*

### Print

- up to 50 x 80 mm printing format
- 200 prints / min.
- Print time: 70 x 2000 ms
- Temperature: 50 – 200 ° C
- Printing pressure: 1170 N at 6 bar

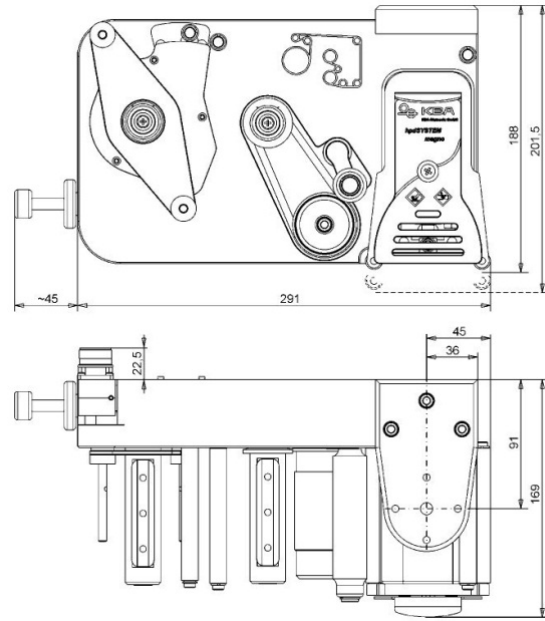
### Film

- Colour foil length 305 m
- Film diameter: 110 mm
- Film feed: 2 – 50 mm infinitely variable



### Type

- horizontal, optionally
  - right device variant
  - left device variant



### Control unit

- 24 V / 10 A: with graphical display and keypad, Interface RS 232, second printer connection suitable, IP 54
- 110 - 240 V / 1 - 2 A: mit graphical display and keypad, interface RS 232 , IP 54
- Powerbox 110 - 240 V / 1 - 2 A



### Technical data

Dimensions:	188 x 282 x 168 mm, H x B x T
Drive type:	pneumatic drive
Air connection:	min. 4 – max. 6 bar, ø 6/4 mm
Compressed air consumption:	approx. 0,25 l per printing cycle
Power requirements:	24 V DC (± 10 %, 160 VA)
Protection class:	Printer: IP 20 standard
Temperature :	323 - 473 K (50° - 200° C) (infinitely variable)
Heating power:	150 W

### Printing accessories

- PC-software hpdCONTROL
- Types, counters
- Standard-mounting frame

Subject to  
technical and  
design changes.  
E&OE