

KOENIG & BAUER

**hpd**SYSTEM *nano*



- ✓ MINIATURE HOT FOIL PRINTER
- ✓ FOR USE WITHIN PACKAGING MACHINES
- ✓ FOR USE WITHIN LABELLERS

*Simple. Runs. Compact.*

INKJET Thermal Transfer Overprint

**HOTFOIL-CODING** LASER *Thermal-Inkjet* *Offline coding*

For use-by-dates **AFTER SALES** *BARCODE* *etc.*

**CODING SYSTEMS**

„MADE IN GERMANY“

### Print

- up to 15 x 30 mm printing format
- 500 prints / min.
- Print time: 50 x 2000 ms
- Temperature: 50 – 200 ° C
- Printing pressure: 373 N at 6 bar

### Film

- Colour foil length 122 m
- Film diameter: 72 mm
- Film feed: 2 – 15 mm infinitely variable
- Displays film end
- Printer reset function

### Printing accessories

- PC-software hpdCONTROL
- Types, counters
- Standard-mounting frame



### Control unit

- 24 V / 10 A: with graphical display and keypad, interface RS 232, for second printer connection suitable, IP 54
- 110 - 240 V / 1 - 2 A: with graphical display and keypad, interface RS 232, IP 54
- Powerbox 110 - 240 V / 1 - 2 A

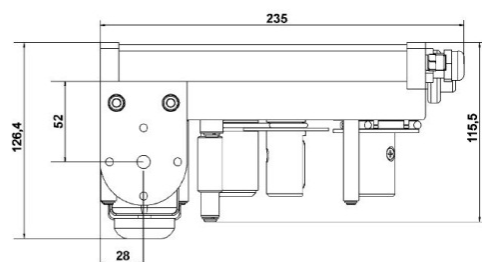
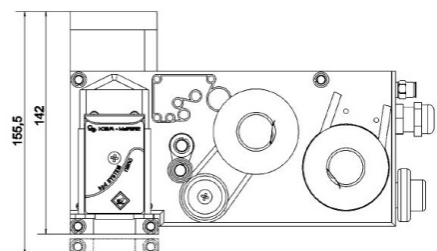
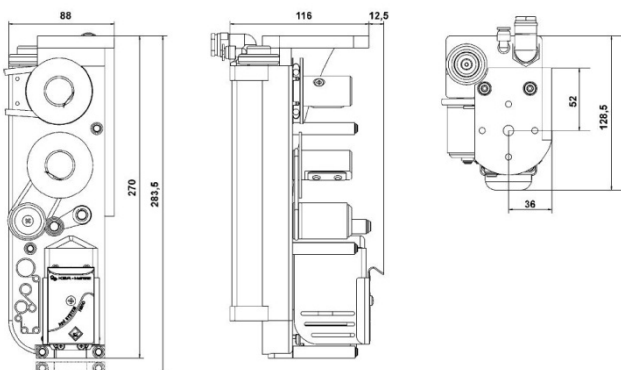
### Technical Data

Dimensions vertical:	270 x 88 x 128 mm, H x W x T
Installation height:	270 mm
Dimensions horizontal:	142 x 237 x 127 mm, H x W x T
Installation height:	142 mm
Weight:	3,5 kg
Drive type:	Pneumatic drive
Air connection:	min. 4 – max. 6 bar, ø 6 mm

Compressed air consumption:	ca. 0,11 l per printing cycle
Power requirements:	24 V DC ± 10 %, 125 VA
Protection class:	Printer: IP 20
Temperature:	323 - 473 K (50° - 200° C) (infinitely variable)
Heating power:	80 W

### Type

- vertical or
- horizontal, optionally
  - right device variant
  - left device variant



Subject to technical and design changes. E&OE